

ATF 70G-4

70 METRISCHE TONNEN TRAGLAST / 70 METRIC TON CAPACITY

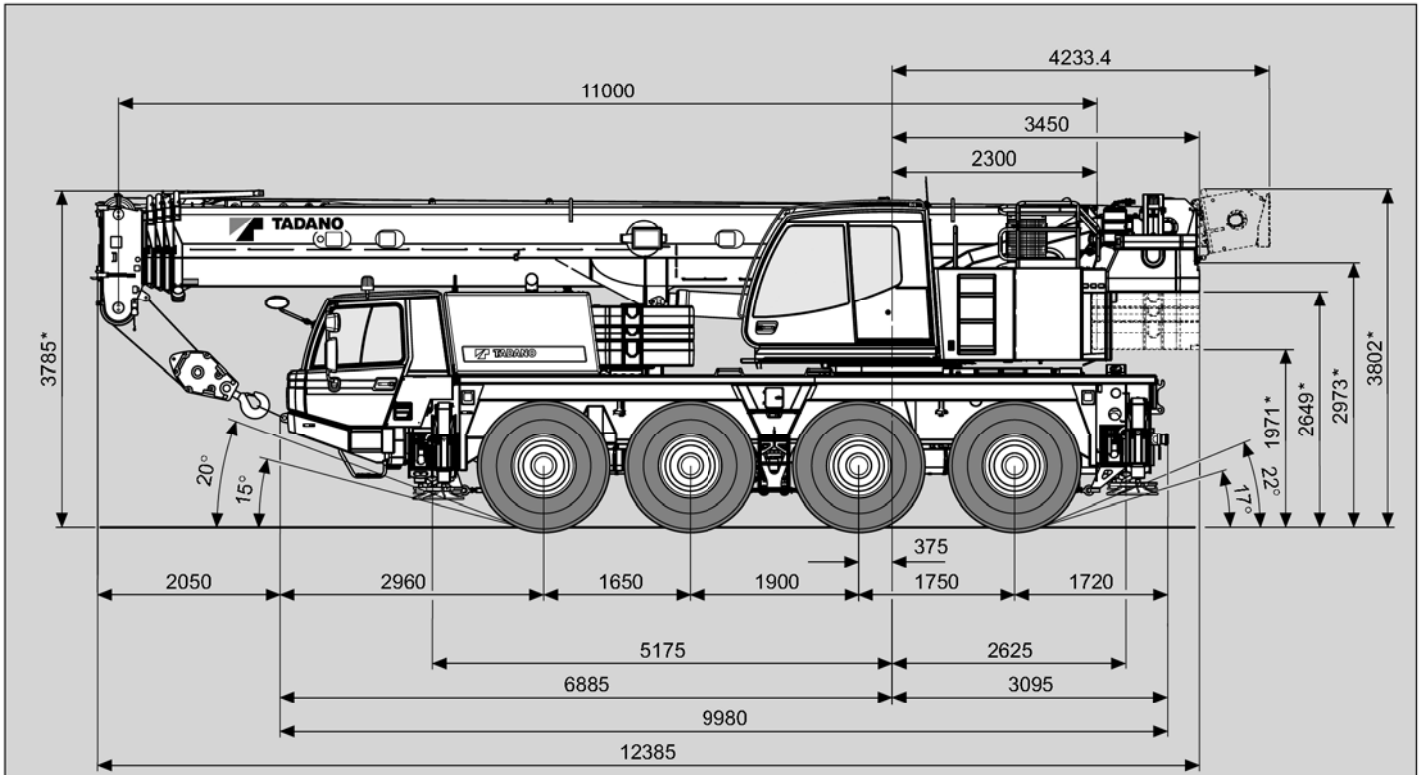
**ALL
TERRAIN
CRANE**



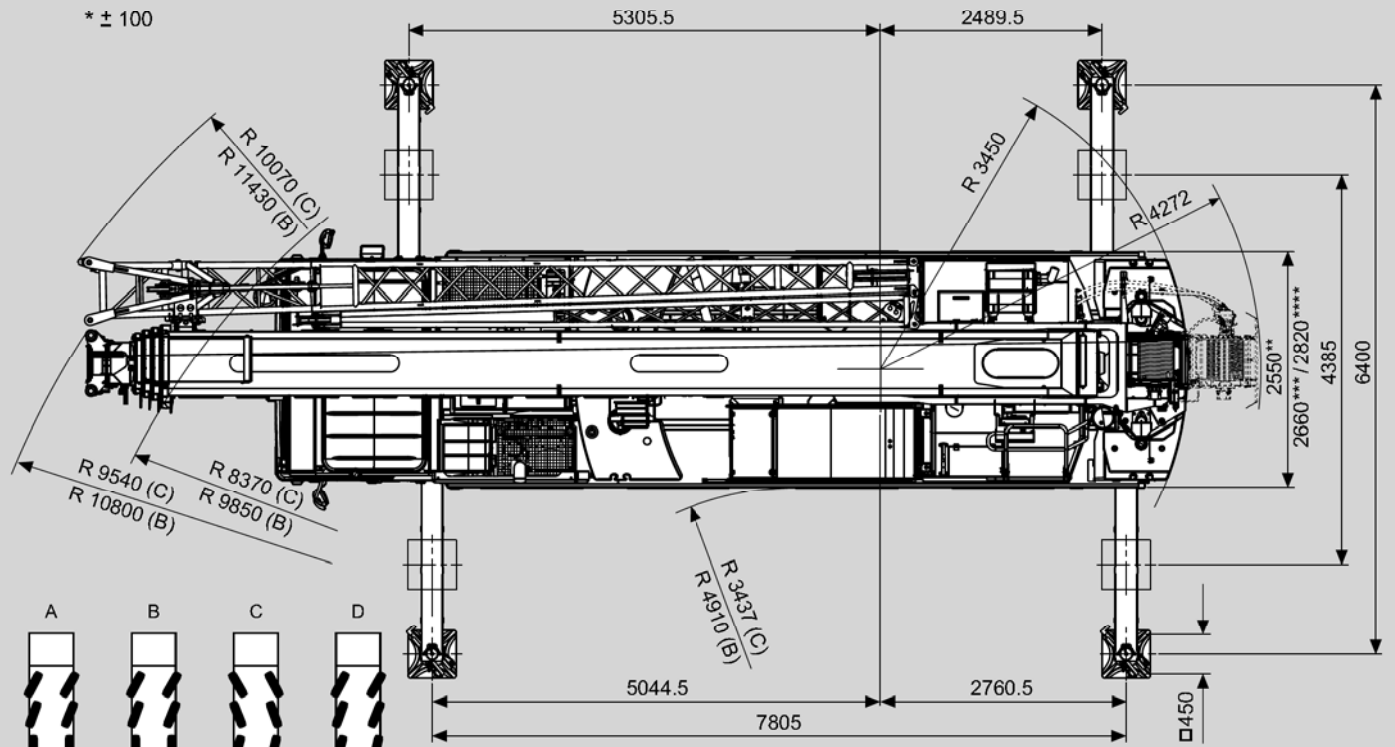
Maße (mm)
 Dimensions (mm)
 Dimensiones (mm)

445/95 R 25
 (16.00 R 25)

DIN/ISO/EN



* ± 100



v > 25 km/h v < 25 km/h

** 385/95 R 25 (14.00 R25)
 *** 445/95 R 25 (16.00 R25)
 **** 525/80 R 25 (20.5 R25)

Gewichte / Geschwindigkeiten
Weights / Working speeds
Poids / Vitesses
Pesos / Velocidades de trabajo

	Achse / Axle Essieu / Eje	1	2	3	4	Gesamtgewicht / Total weight Poids total / Peso total
	(t)	12	12	12	12	48*
	(t)	10	10	10	10	40**

* Incl. 11,9 t Gegengewicht, 9 m / 16 m Auslegerverlängerung, 32 t Unterflasche, 6 t Hakengeschirr, Antrieb 8 x 6, Bereifung 445/95 R 25 (16.00 R 25).

* Incl. 11.9 t counterweight, 9 m / 16 m boom extension, 32 t hook block, 6 t swivel hook, drive 8 x 6, tyres 445/95 R 25 (16.00 R 25).

* Incl. de 11,9 t contrepoids, 9 m / 16 m flèche, 32 t moufle, 6 t élingues, entraînement 8 x 6, pneus 445/95 R 25 (16.00 R 25).

* Incl. contrapeso de 11,9 t, 9 m / 16 m plumin, 32 t gancho, 6 t gancho de bola, tracción 8 x 6, neumáticos 445/95 R 25 (16.00 R 25).

** Sonder-Option / Incl. 3,5 t Gegengewicht, 32 t Unterflasche, Antrieb 8 x 6, Bereifung 445/95 R 25 (16.00 R 25).

** Special option / Incl. 3.5 t counterweight, 32 t hook block, drive 8 x 6, tyres 445/95 R 25 (16.00 R 25).

** Option spéciale / Incl. de 3,5 t contrepoids, 32 t moufle, entraînement 8 x 6, pneus 445/95 R 25 (16.00 R 25).

** Opción especial / Incl. contrapeso de 3,5 t, 32 t gancho, tracción 8 x 6, neumáticos 445/95 R 25 (16.00 R 25).

	Traglast / Lifting capacity / Force de levage / Capacidad de elevación	Rollen / Sheaves Pulies / Poleas	Stränge / Parts of line Brins / Ramales de cable	Gewicht / Weight Poid / Peso
	47.4 t (Typ / Type / Tipo 50)*	5	11	475 kg
	30.5 t (Typ / Type / Tipo 32)*	3	7	300 kg
	30.5 t (Typ / Type / Tipo 32)	3	7	300 kg
	8.8 t (Typ / Type / Tipo 12.5)	1	2	170 kg
4.5 t (Typ / Type / Tipo 6)	–	1	150 kg	

* Doppelhaken

* Rams horn

* Moufle avec crochet marin

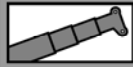
* Gancho doble



	1	2	3	4	5	6	7	8	9	10	11	12	R1	R2	
km/h	3	4	5	6	8	10	13	17	22	28	36	46	3	4	74%
	5	7	9	12	15	19	25	32	41	52	67	85	6	8	34%
	3	4	5	7	9	11	15	19	24	31	39	50	3	4	65%
	6	8	10	13	16	20	27	34	44	57	72	85	6	8	30%

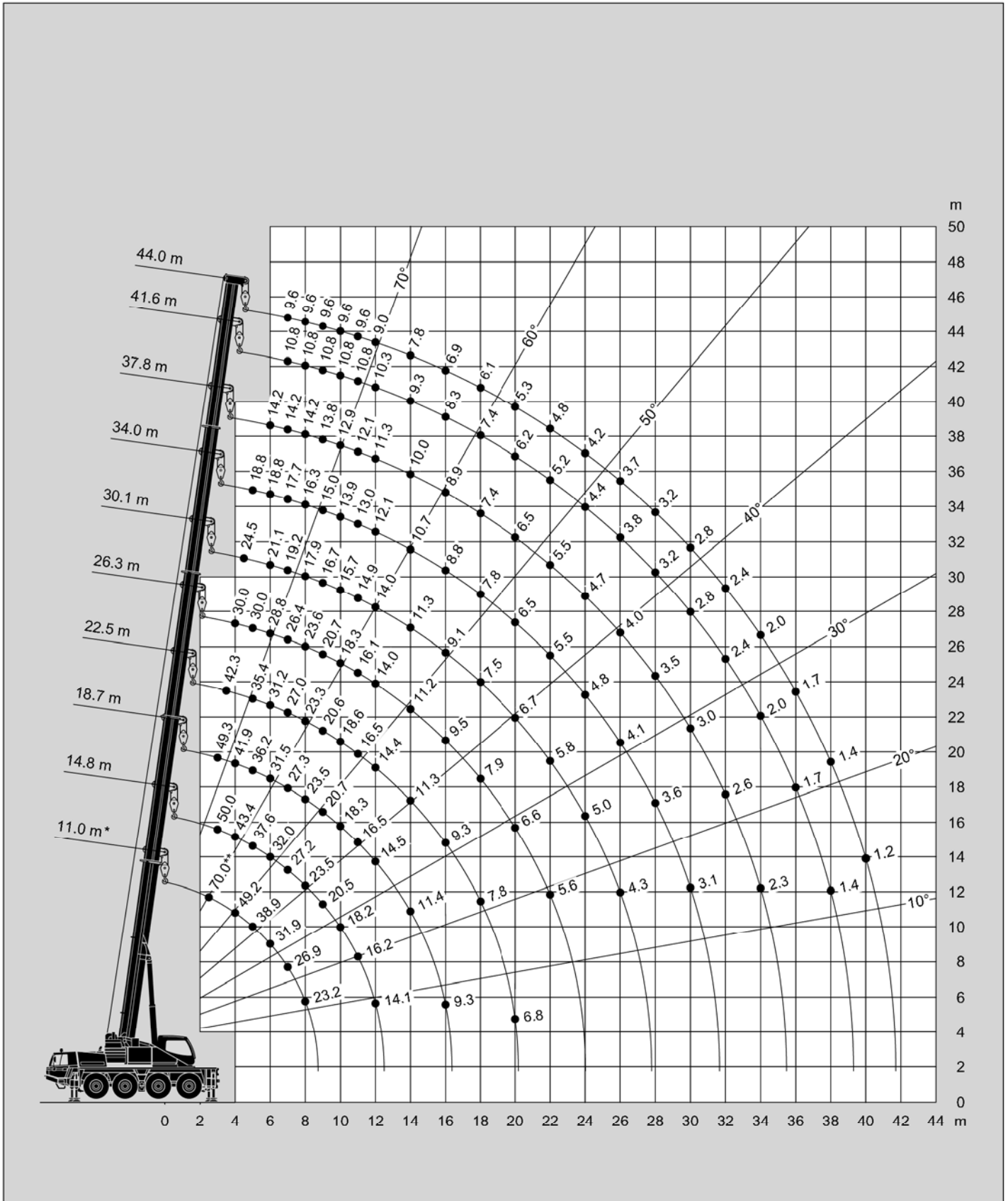
V+	Stufenlos Infinitely variable Progressivement variable Infinitamente variable	Seil Rope Câble Cable	Max. Seilzug Max. single line pull Effort maxi au brin simple Trio máximo por ramal
	0 - 130 m/min für einfachen Strang single line au brin simple ramal simple	16 mm / 205 m	44 kN
	0 - 130 m/min für einfachen Strang single line au brin simple ramal simple	16 mm / 205 m	44 kN
	0 - 2 min ⁻¹		
	-2° – +82° ca. 33 s approx. 33 s env. 33 s aproximadamente 33 s		
	11.0 m – 44.0 m ca. 230 s approx. 230 s env. 230 s aproximadamente 230 s		

Hubhöhen
Lifting heights
Hauteurs de levage
Alturas de elevación



11.9t + 3.1t = 15t
Option

DIN/ISO/EN




Tragfähigkeiten
Lifting capacities
Capacités de levage
Capacidades de elevación




11.9t + **3.1t** = **15t**
Option

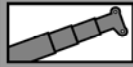
DIN/ISO/EN

 m	11.0 m*	11.0 m	14.8 m	18.7 m	22.5 m	26.3 m	30.1 m	34.0 m	37.8 m	41.6 m	44.0 m
2.5	70.0**	58.0**									
3.0	59.6**	54.8**	50.0	49.3							
3.5	54.8**	49.7	47.0	45.1	42.3						
4.0	49.2	45.4	43.4	41.9	41.0	30.0					
4.5	43.5	41.6	40.3	38.9	38.0	30.0	24.5				
5.0	38.9	37.8	37.6	36.2	35.4	30.0	23.3	18.8			
6.0	31.9	31.8	32.0	31.5	31.2	28.8	21.1	18.8	14.2		
7.0	26.9	26.9	27.2	27.3	27.0	26.4	19.2	17.7	14.2	10.8	9.6
8.0	23.2	23.2	23.5	23.5	23.3	23.6	17.9	16.3	14.2	10.8	9.6
9.0			20.5	20.7	20.6	20.7	16.7	15.0	13.8	10.8	9.6
10.0			18.2	18.3	18.6	18.3	15.7	13.9	12.9	10.8	9.6
11.0			16.2	16.5	16.5	16.1	14.9	13.0	12.1	10.8	9.6
12.0			14.1	14.5	14.4	14.0	14.0	12.1	11.3	10.3	9.0
14.0				11.4	11.3	11.2	11.3	10.7	10.0	9.3	7.8
16.0				9.3	9.3	9.5	9.1	8.8	8.9	8.3	6.9
18.0					7.8	7.9	7.5	7.8	7.4	7.4	6.1
20.0					6.8	6.6	6.7	6.5	6.5	6.2	5.3
22.0						5.6	5.8	5.5	5.5	5.2	4.8
24.0							5.0	4.8	4.7	4.4	4.2
26.0							4.3	4.1	4.0	3.8	3.7
28.0								3.6	3.5	3.2	3.2
30.0								3.1	3.0	2.8	2.8
32.0									2.6	2.4	2.4
34.0									2.3	2.0	2.0
36.0										1.7	1.7
38.0										1.4	1.4
40.0											1.2

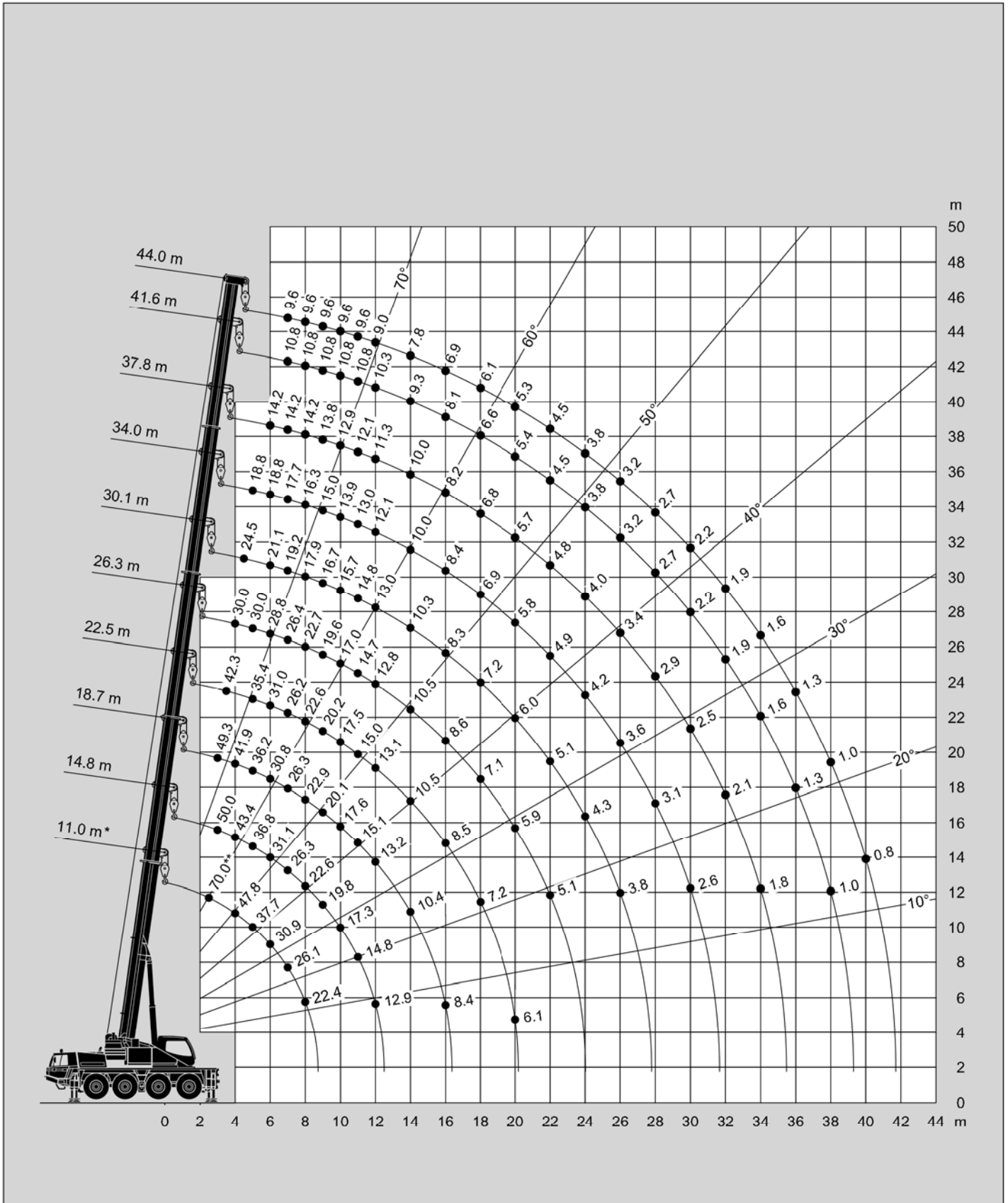
* Nach hinten / * Over rear / * A l'arrière / * Sobre la parte trasera

** Mit Zusatzhubausrüstung / ** With additional lifting equipment / ** Avec équipement supplémentaire / ** Con equipo adicional

Hubhöhen
Lifting heights
Hauteurs de levage
Alturas de elevación




11.9t 'Taxi' Version



Tragfähigkeiten
Lifting capacities
Capacités de levage
Capacidades de elevación



 m	11.0 m*	11.0 m	14.8 m	18.7 m	22.5 m	26.3 m	30.1 m	34.0 m	37.8 m	41.6 m	44.0 m
2.5	70.0**	58.0**									
3.0	59.6**	54.5**	50.0	49.3							
3.5	54.8**	49.4	47.0	45.1	42.3						
4.0	47.8	45.0	43.4	41.9	41.0	30.0					
4.5	42.2	40.6	40.3	38.9	38.0	30.0	24.5				
5.0	37.7	36.9	36.8	36.2	35.4	30.0	23.3	18.8			
6.0	30.9	30.8	31.1	30.8	31.0	28.8	21.1	18.8	14.2		
7.0	26.1	26.0	26.3	26.3	26.2	26.4	19.2	17.7	14.2	10.8	9.6
8.0	22.4	22.4	22.6	22.9	22.6	22.7	17.9	16.3	14.2	10.8	9.6
9.0			19.8	20.1	20.2	19.6	16.7	15.0	13.8	10.8	9.6
10.0			17.3	17.6	17.5	17.0	15.7	13.9	12.9	10.8	9.6
11.0			14.8	15.1	15.0	14.7	14.8	13.0	12.1	10.8	9.6
12.0			12.9	13.2	13.1	12.8	13.0	12.1	11.3	10.3	9.0
14.0				10.4	10.5	10.5	10.3	10.0	10.0	9.3	7.8
16.0				8.4	8.5	8.6	8.3	8.4	8.2	8.1	6.9
18.0					7.2	7.1	7.2	6.9	6.8	6.6	6.1
20.0					6.1	5.9	6.0	5.8	5.7	5.4	5.3
22.0						5.1	5.1	4.9	4.8	4.5	4.5
24.0							4.3	4.2	4.0	3.8	3.8
26.0							3.8	3.6	3.4	3.2	3.2
28.0								3.1	2.9	2.7	2.7
30.0								2.6	2.5	2.2	2.2
32.0									2.1	1.9	1.9
34.0									1.8	1.6	1.6
36.0										1.3	1.3
38.0										1.0	1.0
40.0											0.8

* Nach hinten / * Over rear / * A l'arrière / * Sobre la parte trasera

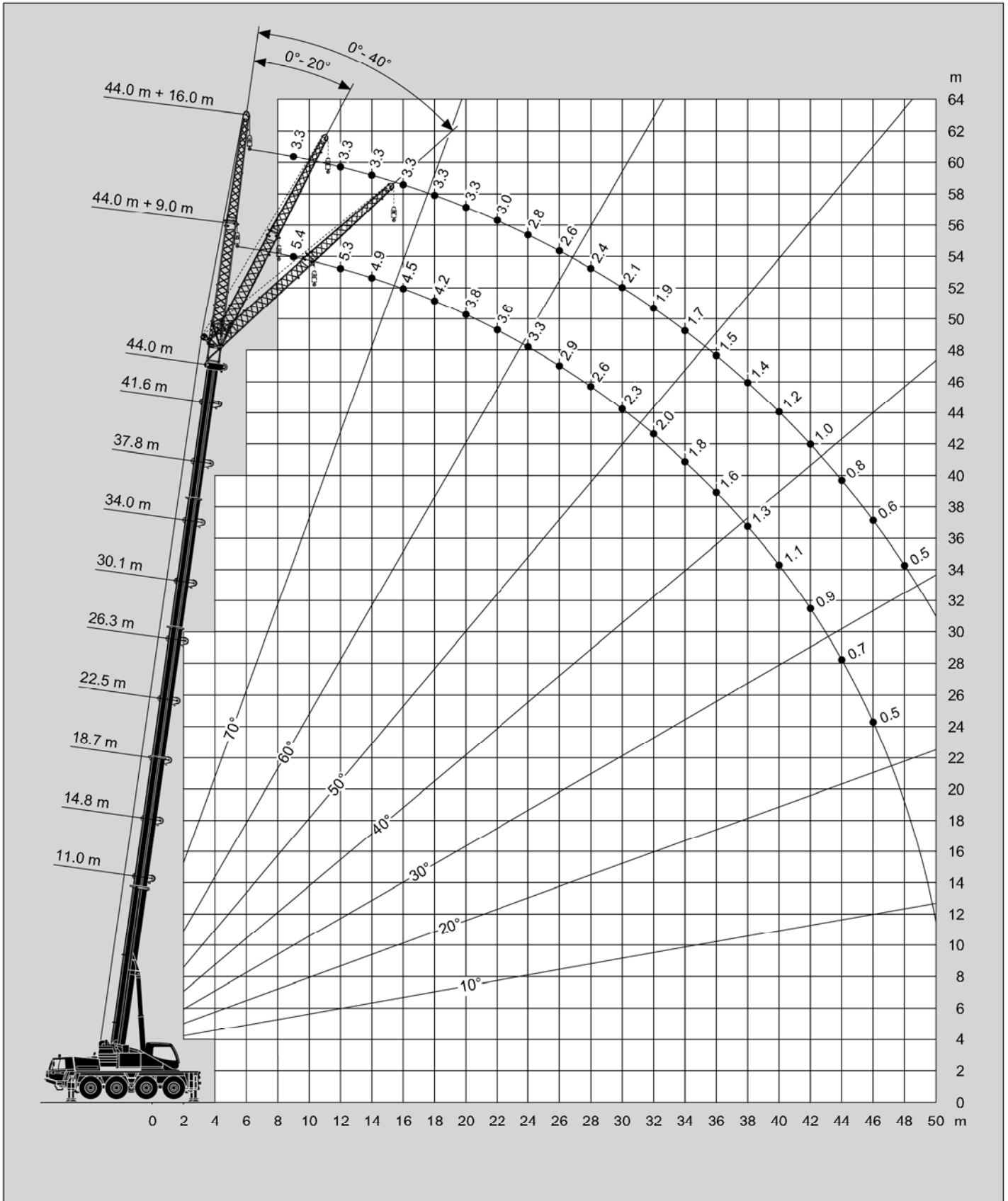
** Mit Zusatzhubausrüstung / ** With additional lifting equipment / ** Avec équipement supplémentaire / ** Con equipo adicional

Hubhöhen
Lifting heights
Hauteurs de levage
Alturas de elevación






11.9t + 3.1t = 15t
DIN/ISO/EN



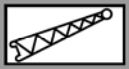
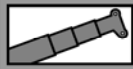
Tragfähigkeiten
Lifting capacities
Capacités de levage
Capacidades de elevación

m	11.0 m + 9.0 m			30.1 m + 9.0 m			41.6 m + 9.0 m			44.0 m + 9.0 m		
	0°	20°	40°	0°	20°	40°	0°	20°	40°	0°	20°	40°
3.0	10.5*											
3.5	10.5*											
4.0	10.5*	10.5*										
4.5	10.5*	10.5*		10.5*								
5.0	10.5*	10.5*		10.5*								
6.0	10.5*	10.5*	8.9*	10.5*								
7.0	10.5*	9.9*	8.5	10.5*			6.0					
8.0	10.5*	9.4*	8.1	10.1*	8.1		6.0			5.4		
9.0	10.4*	8.9*	7.8	9.6*	7.7		6.0			5.4		
10.0	9.5*	8.5	7.5	9.0*	7.3	6.4	6.0			5.4		
11.0	8.7	8.2	7.2	8.5	7.0	6.1	6.0	5.4		5.4	5.1	
12.0	8.1	7.8	7.0	8.1	6.7	5.9	5.7	5.2		5.3	4.9	
14.0	7.1	7.2	6.7	7.3	6.2	5.5	5.2	4.9	4.4	4.9	4.6	4.3
16.0	6.3	6.8		6.7	5.8	5.2	4.8	4.5	4.2	4.5	4.3	4.0
18.0				6.0	5.4	4.9	4.4	4.3	3.9	4.2	4.0	3.8
20.0				5.4	5.1	4.7	4.1	4.0	3.7	3.8	3.8	3.6
22.0				4.8	4.8	4.5	3.8	3.7	3.5	3.6	3.5	3.4
24.0				4.3	4.4	4.3	3.6	3.5	3.4	3.3	3.3	3.2
26.0				3.6	3.8	4.0	3.2	3.3	3.2	2.9	3.0	3.0
28.0				3.1	3.2	3.4	2.9	3.0	3.0	2.6	2.7	2.7
30.0				2.6	2.8	2.8	2.6	2.7	2.8	2.3	2.4	2.4
32.0				2.2	2.3		2.3	2.4	2.5	2.0	2.2	2.2
34.0				1.9	1.9		2.0	2.1	2.2	1.8	1.9	2.0
36.0				1.6			1.6	1.8	1.9	1.6	1.7	1.8
38.0							1.4	1.5	1.6	1.3	1.5	1.5
40.0							1.1	1.2	1.3	1.1	1.2	1.3
42.0							0.9	1.0		0.9	1.0	1.0
44.0							0.7	0.8		0.7	0.8	
46.0							0.6	0.6		0.5	0.6	

* Mit Zusatzhubausrüstung / * With additional lifting equipment / * Avec équipement supplémentaire / * Con equipo adicional

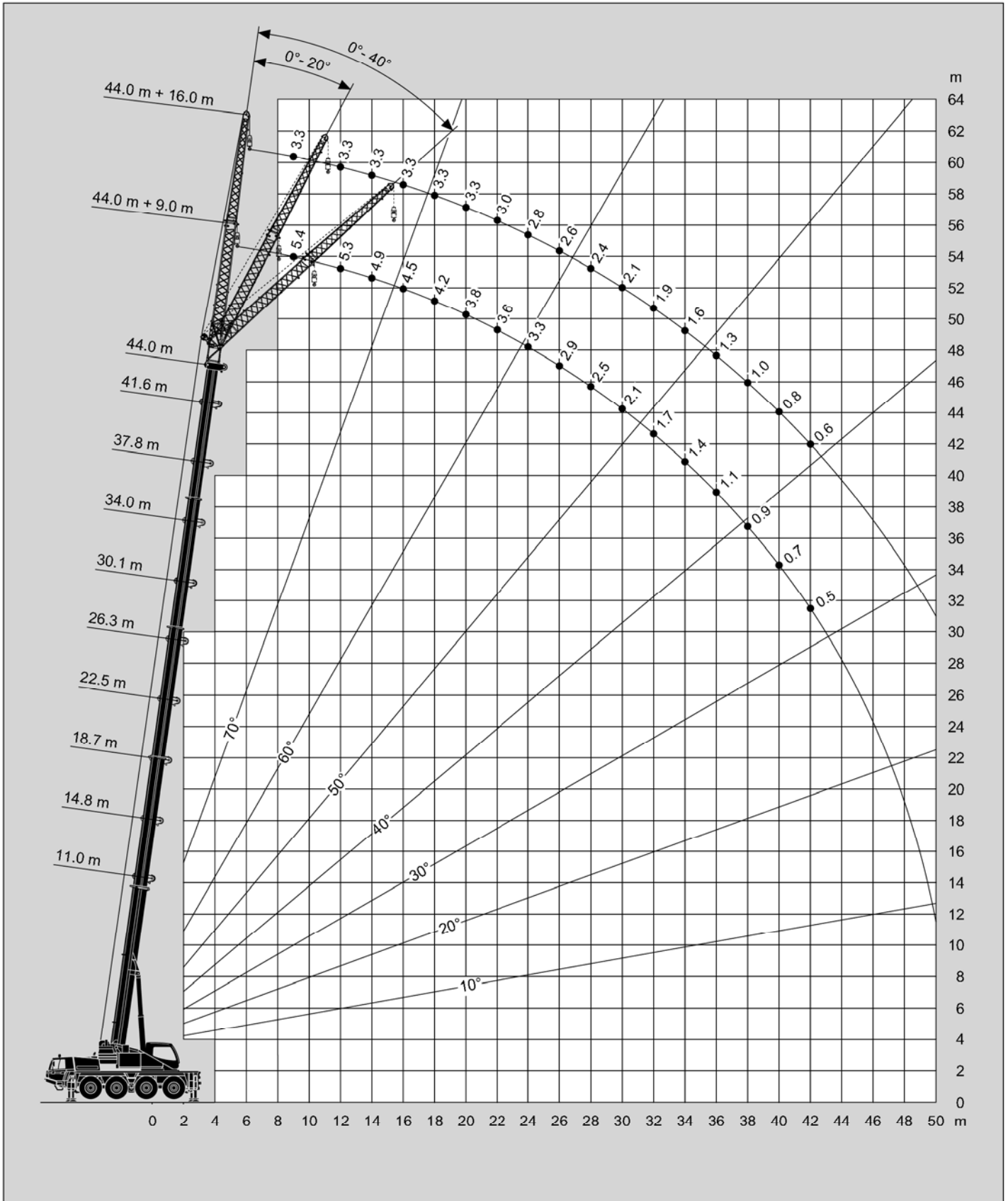
m	11.0 m + 16.0 m			30.1 m + 16.0 m			41.6 m + 16.0 m			44.0 m + 16.0 m		
	0°	20°	40°	0°	20°	40°	0°	20°	40°	0°	20°	40°
3.0	7.9											
3.5	7.9											
4.0	7.9											
4.5	7.9											
5.0	7.9											
6.0	7.6			4.8								
7.0	7.2			4.8								
8.0	6.7	5.4		4.8			3.5					
9.0	6.3	5.1		4.8			3.5			3.3		
10.0	5.9	4.9		4.8			3.5			3.3		
11.0	5.6	4.7		4.8			3.5			3.3		
12.0	5.3	4.4	3.9	4.8	4.6		3.5			3.3		
14.0	4.7	4.1	3.7	4.8	4.4		3.5			3.3		
16.0	4.2	3.8	3.4	4.8	4.2	3.5	3.5	3.5		3.3		
18.0	3.7	3.5	3.3	4.8	4.0	3.4	3.5	3.3		3.3	3.1	
20.0	3.4	3.3	3.2	4.6	3.8	3.3	3.5	3.1		3.3	3.0	2.8
22.0	3.1	3.2	3.1	4.3	3.6	3.2	3.2	2.9	2.7	3.0	2.8	2.6
24.0	2.8	3.1		4.1	3.5	3.1	3.0	2.8	2.6	2.8	2.7	2.5
26.0				3.7	3.3	3.0	2.8	2.7	2.5	2.6	2.5	2.4
28.0				3.4	3.2	2.9	2.7	2.6	2.4	2.4	2.4	2.3
30.0				2.9	3.0	2.8	2.5	2.4	2.3	2.1	2.2	2.2
32.0				2.5	2.8	2.7	2.2	2.3	2.2	1.9	2.0	2.1
34.0				2.1	2.4	2.6	2.0	2.2	2.1	1.7	1.8	1.9
36.0				1.8	2.0	2.2	1.8	2.0	2.0	1.5	1.6	1.7
38.0				1.6	1.7		1.5	1.8	1.9	1.4	1.5	1.5
40.0				1.3	1.5		1.3	1.5	1.7	1.2	1.3	1.4
42.0				1.1	1.2		1.1	1.3	1.4	1.0	1.2	1.3
44.0				1.0			0.9	1.1	1.2	0.8	1.0	1.1
46.0							0.7	0.8	0.9	0.6	0.8	0.9
48.0							0.5	0.7		0.5	0.6	0.7
50.0								0.5		0.5		

Hubhöhen
Lifting heights
Hauteurs de levage
Alturas de elevación



11.9t 'Taxi' Version

DIN/ISO/EN



Tragfähigkeiten
Lifting capacities
Capacités de levage
Capacidades de elevación



m	11.0 m + 9.0 m			30.1 m + 9.0 m			41.6 m + 9.0 m			44.0 m + 9.0 m		
	0°	20°	40°	0°	20°	40°	0°	20°	40°	0°	20°	40°
3.0	10.5 *											
3.5	10.5 *											
4.0	10.5 *	10.5 *										
4.5	10.5 *	10.5 *		10.5 *								
5.0	10.5 *	10.5 *		10.5 *								
6.0	10.5 *	10.5 *	8.9 *	10.5 *								
7.0	10.5 *	9.9 *	8.5	10.5 *			6.0					
8.0	10.5 *	9.4 *	8.1	10.1 *	8.1		6.0			5.4		
9.0	10.4 *	8.9 *	7.8	9.6 *	7.7		6.0			5.4		
10.0	9.5 *	8.5	7.5	9.0 *	7.3	6.4	6.0			5.4		
11.0	8.7	8.2	7.2	8.5	7.0	6.1	6.0	5.4		5.4	5.1	
12.0	8.1	7.8	7.0	8.1	6.7	5.9	5.7	5.2		5.3	4.9	
14.0	7.1	7.2	6.7	7.3	6.2	5.5	5.2	4.9	4.4	4.9	4.6	4.3
16.0	6.3	6.8		6.7	5.8	5.2	4.8	4.5	4.2	4.5	4.3	4.0
18.0				6.0	5.4	4.9	4.4	4.3	3.9	4.2	4.0	3.8
20.0				5.2	5.1	4.7	4.1	4.0	3.7	3.8	3.8	3.6
22.0				4.3	4.6	4.5	3.8	3.7	3.5	3.6	3.5	3.4
24.0				3.5	3.8	4.0	3.6	3.5	3.4	3.3	3.3	3.2
26.0				2.9	3.2	3.3	3.1	3.3	3.2	2.9	3.0	3.0
28.0				2.4	2.6	2.7	2.6	2.8	3.0	2.5	2.7	2.7
30.0				2.0	2.2	2.2	2.1	2.3	2.5	2.1	2.3	2.4
32.0				1.7	1.8		1.8	1.9	2.1	1.7	1.9	2.1
34.0				1.4	1.4		1.4	1.6	1.7	1.4	1.6	1.7
36.0				1.1			1.2	1.3	1.4	1.1	1.3	1.4
38.0							0.9	1.0	1.1	0.9	1.0	1.1
40.0							0.7	0.8	0.8	0.7	0.8	0.8
42.0							0.5	0.6		0.5	0.6	0.6

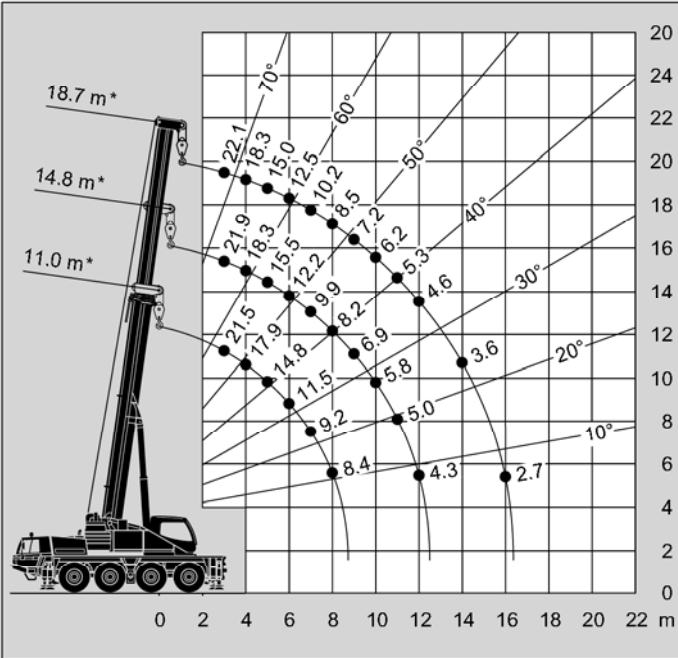
* Mit Zusatzhubausrüstung / ** With additional lifting equipment / * Avec équipement supplémentaire / * Con equipo adicional



m	11.0 m + 16.0 m			30.1 m + 16.0 m			41.6 m + 16.0 m			44.0 m + 16.0 m		
	0°	20°	40°	0°	20°	40°	0°	20°	40°	0°	20°	40°
3.0	7.9											
3.5	7.9											
4.0	7.9											
4.5	7.9											
5.0	7.9											
6.0	7.6			4.8								
7.0	7.2			4.8								
8.0	6.7	5.4		4.8			3.5					
9.0	6.3	5.1		4.8			3.5			3.3		
10.0	5.9	4.9		4.8			3.5			3.3		
11.0	5.6	4.7		4.8			3.5			3.3		
12.0	5.3	4.4	3.9	4.8	4.6		3.5			3.3		
14.0	4.7	4.1	3.7	4.8	4.4		3.5			3.3		
16.0	4.2	3.8	3.4	4.8	4.2	3.5	3.5	3.5		3.3		
18.0	3.7	3.5	3.3	4.8	4.0	3.4	3.5	3.3		3.3	3.1	
20.0	3.4	3.3	3.2	4.6	3.8	3.3	3.5	3.1		3.3	3.0	2.8
22.0	3.1	3.2	3.1	4.3	3.6	3.2	3.2	2.9	2.7	3.0	2.8	2.6
24.0	2.8	3.1		3.9	3.5	3.1	3.0	2.8	2.6	2.8	2.7	2.5
26.0				3.3	3.3	3.0	2.8	2.7	2.5	2.6	2.5	2.4
28.0				2.8	3.2	2.9	2.7	2.6	2.4	2.4	2.4	2.3
30.0				2.3	2.7	2.8	2.3	2.4	2.3	2.1	2.2	2.2
32.0				2.0	2.3	2.5	1.9	2.3	2.2	1.9	2.0	2.1
34.0				1.6	1.9	2.1	1.6	1.9	2.1	1.6	1.8	1.9
36.0				1.4	1.6	1.7	1.3	1.6	1.8	1.3	1.6	1.7
38.0				1.1	1.3		1.1	1.3	1.5	1.0	1.3	1.5
40.0				0.9	1.0		0.9	1.1	1.3	0.8	1.1	1.2
42.0				0.7	0.8		0.7	0.9	1.0	0.6	0.8	1.0
44.0				0.6			0.5	0.7	0.8		0.6	0.8
46.0								0.5	0.6			0.5

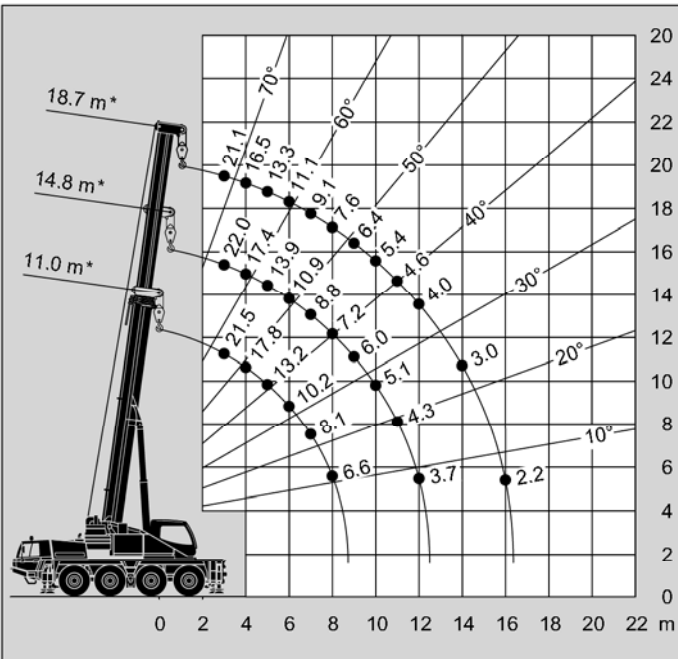
Hubhöhen
Lifting heights
Hauteurs de levage
Alturas de elevación

Tragfähigkeiten
Lifting capacities
Capacités de levage
Capacidades de elevación



↙ m	11.0 m*	14.8 m*	18.7 m*
3.0	21.5	21.9	22.1
3.5	19.6	20.0	20.2
4.0	17.9	18.3	18.3
4.5	16.5	16.9	16.5
5.0	14.8	15.5	15.0
6.0	11.5	12.2	12.5
7.0	9.2	9.9	10.2
8.0	8.4	8.2	8.5
9.0		6.9	7.2
10.0		5.8	6.2
11.0		5.0	5.3
12.0		4.3	4.6
14.0			3.6
16.0			2.7
18.0			

* Oberwagungsverriegelung eingelegt * Superstructure verrouillé
* Superstructure locked * Bloqueo de superestructura

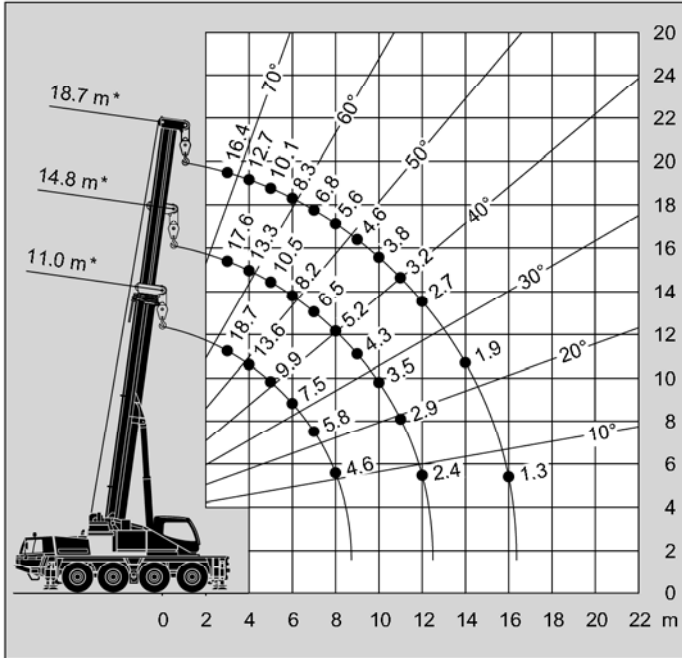


↙ m	11.0 m*	14.8 m*	18.7 m*
3.0	21.5	22.0	21.1
3.5	19.6	19.7	18.6
4.0	17.8	17.4	16.5
4.5	15.2	15.5	14.8
5.0	13.2	13.9	13.3
6.0	10.2	10.9	11.1
7.0	8.1	8.8	9.1
8.0	6.6	7.2	7.6
9.0		6.0	6.4
10.0		5.1	5.4
11.0		4.3	4.6
12.0		3.7	4.0
14.0			3.0
16.0			2.2
18.0			

* Oberwagungsverriegelung eingelegt * Superstructure verrouillé
* Superstructure locked * Bloqueo de superestructura

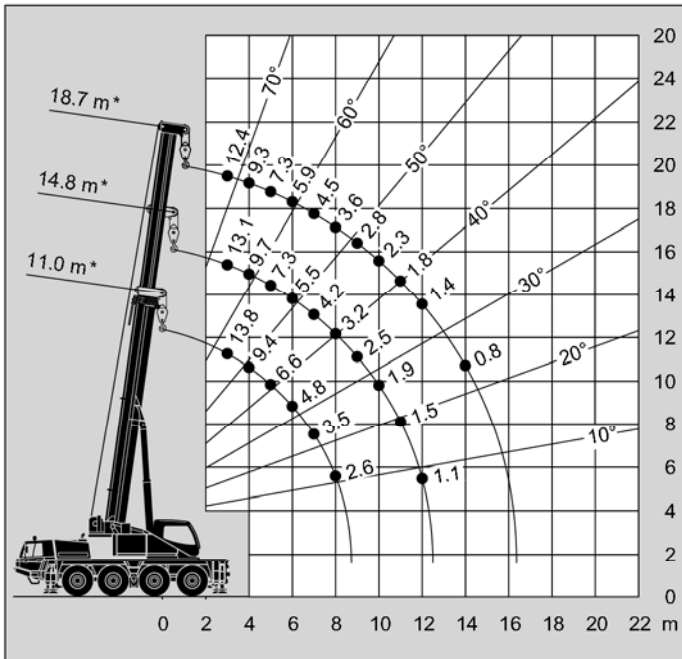
Hubhöhen
Lifting heights
Hauteurs de levage
Alturas de elevación

Tragfähigkeiten
Lifting capacities
Capacités de levage
Capacidades de elevación



↘ m	11.0 m*	14.8 m*	18.7 m*
3.0	18.7	17.6	16.4
3.5	15.9	15.1	14.3
4.0	13.6	13.3	12.7
4.5	11.5	11.7	11.3
5.0	9.9	10.5	10.1
6.0	7.5	8.2	8.3
7.0	5.8	6.5	6.8
8.0	4.6	5.2	5.6
9.0		4.3	4.6
10.0		3.5	3.8
11.0		2.9	3.2
12.0		2.4	2.7
14.0			1.9
16.0			1.3
18.0			

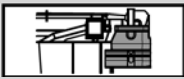
* Oberwagengerriegelung eingelegt * Superstructure verrouillée
* Superstructure locked * Bloqueo de superestructura



↘ m	11.0 m*	14.8 m*	18.7 m*
3.0	13.8	13.1	12.4
3.5	11.6	11.2	10.7
4.0	9.4	9.7	9.3
4.5	7.8	8.5	8.2
5.0	6.6	7.3	7.3
6.0	4.8	5.5	5.9
7.0	3.5	4.2	4.5
8.0	2.6	3.2	3.6
9.0		2.5	2.8
10.0		1.9	2.3
11.0		1.5	1.8
12.0		1.1	1.4
14.0			0.8
16.0			
18.0			

* Oberwagengerriegelung eingelegt * Superstructure verrouillée
* Superstructure locked * Bloqueo de superestructura

Gegengewichtvarianten
Counterweight versions
Variations des contrepoids
Variaciones de contrapeso

 Gegengewicht / Counterweight Contrepoids / Contrapeso	2x	1x	1x	1x	1x	1x
	(t)	① 0.4	② 5.2	③ 3.1	④ 2.0	⑤ 3.5

